



Flowmeter Product Directory

MODEL : ABSN



ABSN-5-A-2-J

FEATURES

- 센서(Body)와 모니터(Indicator)를 분리하여 사용하는 원거리용으로 최대 100m이내까지 설치 할 수 있도록 설계되어 있습니다.
- 모니터(Counter, Controller)는 여러 형태와 모델로 선정 될 수 있다.

SPECIFICATION

CON`N	SIZE	MAT`L	PRESS.		TEMP.		ACCURACY
			ST.	SP.	ST.	SP.	
SCREW FLANGE	6A~250A	SUS304 SUS316	10 kgf/cm ²	200 kgf/cm ²	120 ℃	250 ℃	F.S ±0.5%

MODEL CODE

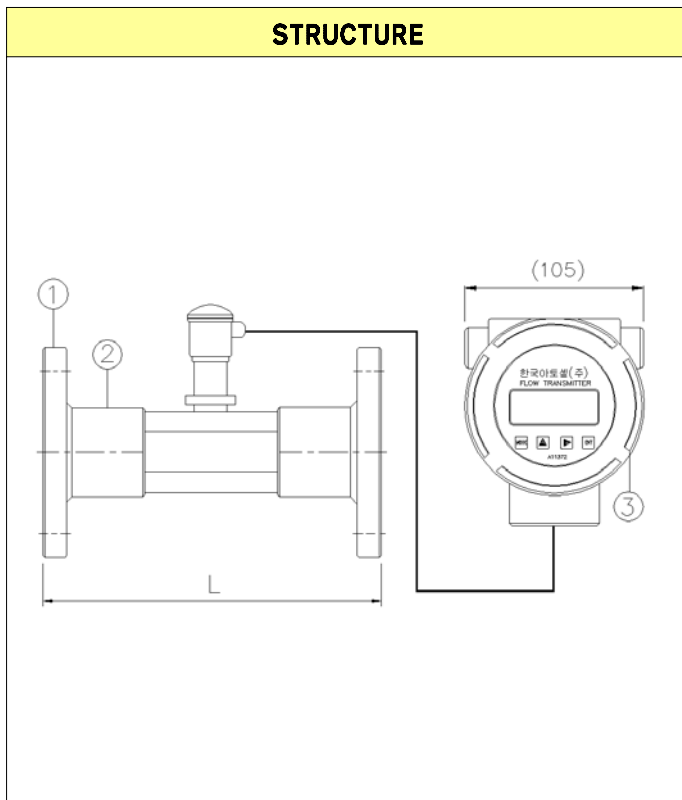
ABS	N	-	□	-	□	-	□	-	□	DESCRIPTION
DIRECTION	1									BOTTOM - TOP
	5									SIDE - SIDE
	0									OTHER
TYPE	A									INDICATOR, INTEGRATOR WITH 4~20mA SIGNAL and PULSE
	B									TYPE A + ALARM
	W									WITHOUT
MATERIAL	2									SUS 304
	3									SUS 316
	0									OTHER
CONNECTION	J									JIS 10K RF (FF)
	A									ANSI 150# RF (FF)
	D									DIN PN10/16
	P									PT(Male / Female)
	N									NPT(Male / Female)
	0									OTHER



Flowmeter Product Directory

MODEL : ABSN

FLOW RATE							
SIZE (d)		H ₂ O (m ³ /h)	AIR (ACFM) 760mmHg(A) 20°C	Length (mm) L		STRAINER MESH	CLEARANCE
A	B	Flow Rate	Flow Rate	Screw	Flange		
6A	1/8B	0.06~0.6	0.35~3.5	120	200		
10A	3/8B	0.12~1.2	0.7~7	150	220	60	0.090
15A	1/2B	0.4~4	1~10	150	220	60	0.090
20A	3/4B	0.6~6	3~30	200	220	60	0.090
25A	1B	1~10	4~60	200	220	60	0.090
32A	1 1/4B	1.5~15	6~80	200	220	60	0.090
40A	1 1/2B	2~20	8~130	200	220	40	0.034
50A	2B	4~40	15~250	250	300	30	0.065
65A	2 1/2B	7~70	20~400	300	400	20	0.090
80A	3B	10~100	40~650	300	400	20	0.090
100A	4B	20~200	75~1200	330	450	20	0.090
125A	5B	25~250	100~1800	330	490	10	0.187
150A	6B	30~300	250~2900	330	520	10	0.187
200A	8B	50~500	330~5000	360	650	8	0.187
250A	10B	100~1000	650~7500	400	680	4	0.187



PART LIST

NO	NAME	MATERIAL	
		NO.2	NO.3
1	Flange	SUS304	SUS316
2	Body	SUS304	SUS316
3	Indicator	EX d IIB T4(MFS.)	