



Flowmeter Product Directory

MODEL : ALS



ALS-W-2-1-P

FEATURES

- 본 제품은 순간유량 측정과 접점, 경보(Alarm Signal) 기능을 추가한 제품으로 접점신호는 1접점과 2 접점으로 구분 한다.
- 별도의 증폭부가 필요치 않다.
- Sensor는 자기 유지 기능을(Self Holding) 갖고 있다.

SPECIFICATION

CON`N	SIZE	MAT`L	PRESS.	TEMP.	ACCURACY
SCREW	10-150A	STEEL SUS304/316	20 kgf/cm ² (Max.)	150℃ (Max.)	FS±1.5%

ALARM CONTACT

Capacity	AC 220V 0.5A / DC 24V 0.05A
Contact Output	1 or 2 Point Alarm
Contact Type	Sensor Self Holding Form
Contact Rate	SPST Relay Output
Cable Code	0.4m (10m available)
Ambient Temp.	-20℃ ~ 80℃

MODEL CODE

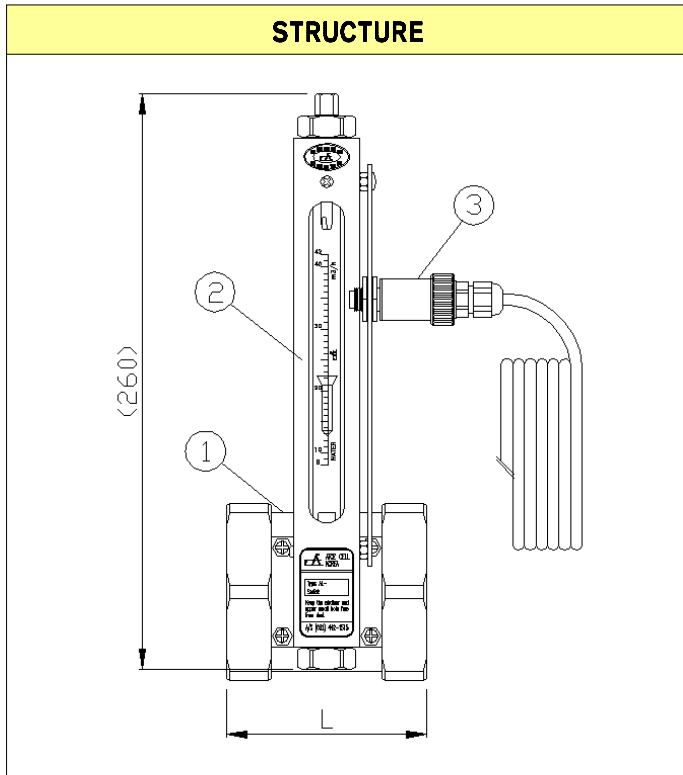
ALS	—	□	—	□	—	□	—	□	DESCRIPTION
ACCESSORY		W							WITHOUT
		S							COCK VALVE
		C							CONNECTOR
MATERIAL				1					STEEL
				2					SUS 304
				3					SUS 316
				0					OTHER
CONTACT						W			WITHOUT
						1			ONE POINT ALARM
						2			TWO POINT ALARM
CONNECTION							P		PT (FE MALE)
							N		NPT (FE MALE)
							O		OTHER



Flowmeter Product Directory

MODEL : ALS

FLOW RATE						
SIZE (d)		H ₂ O(m ³ /h)		AIR (Nm ³ /h) 760mmHg(A) 20°C		Length (mm)
A	B	Flow Rate	One Scale	Flow Rate	One Scale	L
10A	3/8B	0.08~0.42	0.01	0.8~4	0.1	70
15A	1/2B	0.18~0.96	0.02	2~9.2	0.2	70
20A	3/4B	0.45~2.4	0.05	5~23	0.5	70
25A	1B	0.8~4.2	0.1	8~40	1	70
32A	1 1/4B	1.2~6.4	0.2	12~60	2	74
40A	1 1/2B	1.8~9.4	0.2	18~90	2	85
50A	2B	3.5~18.5	0.5	35~175	5	90
65A	2 1/2B	6~32	1	60~300	10	100
80A	3B	8~42	1	80~400	10	110
100A	4B	16~80	2	160~800	20	120
125A	5B	25~125	5	250~1250	50	130
150A	6B	35~180	5	350~1700	50	130



PART LIST

NO	NAME	MATERIAL		
		NO.1	NO.2	NO.3
1	Body	SPP	SUS304	SUS316
2	Indicator	BSBM	SUS304	SUS316
3	Sensor	AL(MFS. PACKAGE)		

