

Flowmeter Product Directory

MODEL : AMC



AMC-3000-2-A

FEATURES

- 유량에 비례하는 출력을 발생시키고 현장 지시와 원격 제어가 가능하도록 설계되어 있다.
- 출력 전송은 4~20mA, 1-5V 로 발신 한다.

SPECIFICATION(1)

CON`N	SIZE	MAT`L	PRESS.		TEMP.		ACCURACY	
			ST.	SP.	ST.	SP.	H ₂ O	GAS
FLANGE	15A-100A	SUS	ST.	10kgf/cm ²	ST.	120℃	FS	FS
SCREW	15A-65A	304/316	SP.	20kgf/cm ²	SP.	200℃	±1.0%	±2.0%

SPECIFICATION(2)

POWER SUPPLY	DC 24V
SIGNAL OUTPUT	4-20 mA DC (1-5V)
WIRING	2-WIRE SYSTEM
CABLE ENTRY	PROOF TERMINAL BOX
OUTPUT ACCURACY	FS±0.5%
AMBIENT TEMP	-10 ~80℃

MODEL CODE

AMC	-	□	-	□	-	□	DESCRIPTION
TYPE		3000					LOCAL INDICATOR WITH ELECTRIC SIGNAL (4-20mA)
MATERIAL				2			SUS304
				3			SUS316
				0			OTHER
CONNECTION						J	JIS 10K RF (FF)
						A	ANSI 150# RF (FF)
						D	DIN PN10/16
						P	PT(Male / Female)
						N	NPT(Male / Female)
						O	OTHER



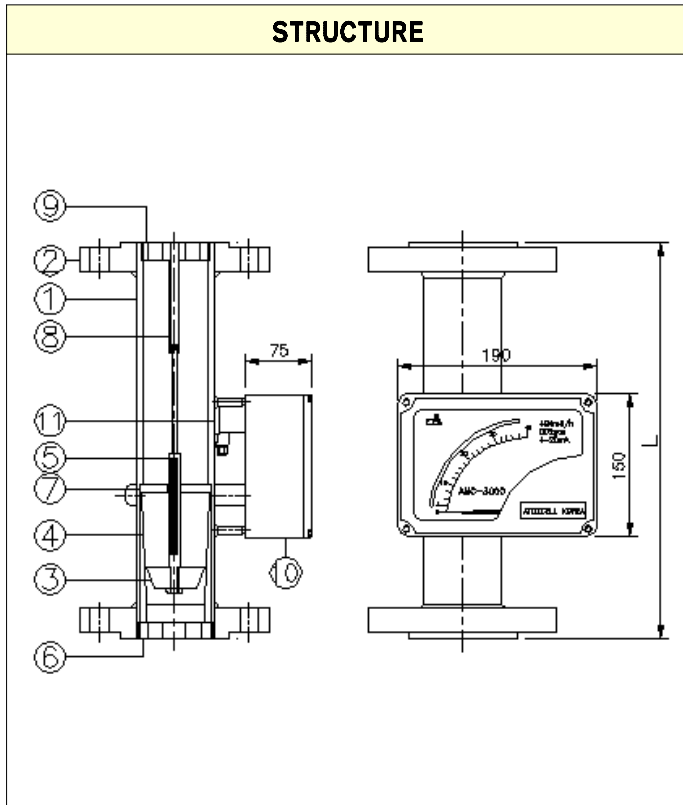
한국아토셀(주)
ATOZCELL KOREA CO.,LTD.



Flowmeter Product Directory

MODEL : AMC

FLOW RATE						
SIZE	DIVIDE	STANDARD	GENERAL		LOSS	LENGTH (mm)
		H ₂ O(m ³ /h)	LIQUID (m ³ /h)	AIR (Nm ³ /h)	mmH ₂ O	L
15A	1/2B	0.1 - 1	0.03 - 0.3	0.3 - 3	500	250
			0.15 - 1.5	2 - 20		300
20A	3/4B	0.15 - 1.5	0.03 - 0.3	0.3 - 3	500	250
			0.2 - 2	3 - 30		300
25A	1B	0.35 - 3.5	0.15 - 1.5	1.5 - 15	500	250
			0.5 - 5	6 - 60		300
32A	1 1/4B	0.6 - 6	0.3 - 3	3 - 30	500	250
			0.7 - 7	10 - 100		300
40A	1 1/2B	1.0 - 10	0.4 - 4	4.5 - 45	700	250
			1.5 - 15	15 - 150		300
50A	2B	1.5 - 15	1 - 10	5 - 50	500	250
			2 - 20	20 - 200		300
65A	2 1/2B	2.5 - 25	1.5 - 15	9 - 90	600	250
			3 - 30	40 - 400		300
80A	3B	4.0 - 40	2 - 20	15 - 150	700	300
			5 - 50	70 - 700		350
100A	4B	6.0 - 60	5 - 50	20 - 200	900	300
			7 - 70	100 - 1000		350



PART LIST

NO	NAME	MATERIAL	
		NO.2	NO.3
1	Body	SUS304	SUS316
2	Flange	SUS304	SUS316
3	Float	SUS304	SUS316
4	Taper Tube	SUS304	SUS316
5	Magnet Rod	SUS304+ALNICO	SUS316+ALNICO
6	Lower Stopper	SUS304	SUS316
7	Collar	SUS304	SUS316
8	Guide	SUS304	SUS316
9	Upper Stopper	SUS304	SUS316
10	Housing	ADC12	
11	Terminal Box	ADC12	