



# Flowmeter Product Directory

MODEL : AMOD



AMOD-1-3000-2-J

## FEATURES

- 본 제품은 내압방폭 구조로서 폭발의 위험성이 있는 곳에서 사용 할 수 있도록 국가기관에서 인증 승인된 유량계 이다.
- 유량에 비례하는 출력을 발생시키고 현장 지시와 원격 제어가 가능하도록 설계되어 있다.

## SPECIFICATION(1)

CON'N	SIZE	MAT'L	PRESS.		TEMP.		ACCURACY	
			ST	SP	ST	SP	H <sub>2</sub> O	GAS
FLANGE	15A-200A	SUS	ST	10kgf/cm <sup>2</sup>	ST	70℃	FS	FS
SCREW	15A-65A	304/316	SP	20kgf/cm <sup>2</sup>	SP	100℃	±1.5%	±2.0%

## SPECIFICATION(2)

STRUCTURE	EX d IIB T4
POWER SUPPLY	DC 24V(2-Wire)
SIGNAL OUTPUT	DC 4-20mA or 1-5V
CABLE ENTRY	EX-PROOF TERMINAL
OUTPUT ACCURACY	FS±0.5%
TEMPERATURE(Class T4)	-10 ~80℃

## MODEL CODE

AMOD	-	□	-	□	-	□	-	□	DESCRIPTION
FLOW DIRECTION		1							BOTTOM - TOP
TYPE				3000					LOCAL INDICATOR WITH ELECTRIC SIGNAL (4-20mA)
MATERIAL						2			SUS304
						3			SUS316
						O			OTHER
CONNECTION								J	JIS 10K RF (FF)
								A	ANSI 150# RF (FF)
								D	DIN PN10/16
								P	PT(Male / Female)
								N	NPT(Male / Female)
								O	OTHER



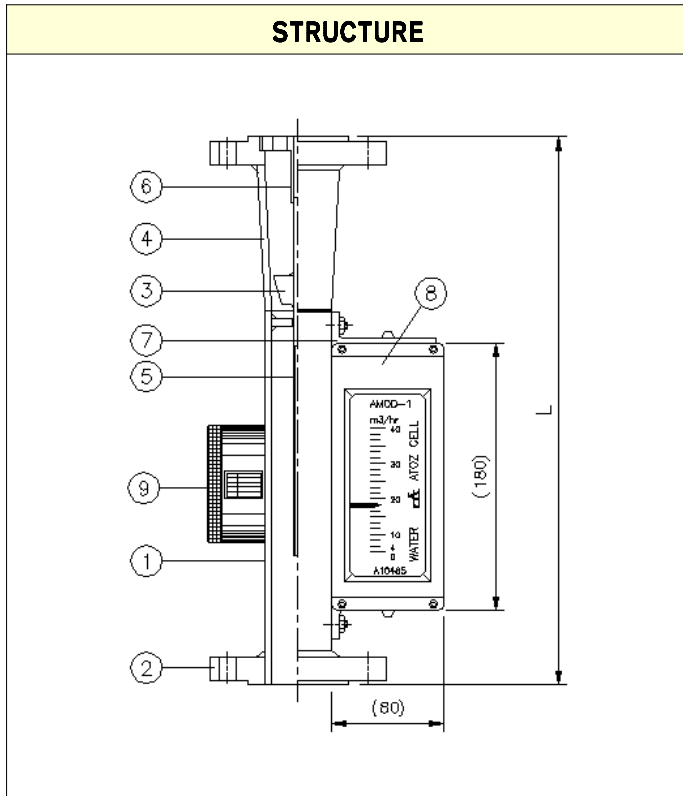
한국아토셀(주)  
ATOZCELL KOREA CO.,LTD.



# Flowmeter Product Directory

MODEL : AMOD

FLOW RATE						
SIZE	DIVIDE	STANDARD	GENERAL		LOSS	LENGTH (mm)
		H <sub>2</sub> O(m <sup>3</sup> /h)	LIQUID (m <sup>3</sup> /h)	AIR (Nm <sup>3</sup> /h)	mmH <sub>2</sub> O	L
15A	1/2B	0.1 - 1.0	0.02 - 0.2 0.2 - 2	0.6 - 6 3 - 30	600	350
20A	3/4B	0.2 - 2.0	0.08 - 0.8 0.35 - 3.5	1.6 - 16 5 - 50	600	350
25A	1B	0.4 - 4.0	0.1 - 1 0.6 - 6	2 - 20 9 - 90	600	350
32A	1 1/4B	0.6 - 6.0	0.1 - 1 1 - 10	2 - 20 15 - 150	600	350
40A	1 1/2B	0.8 - 8.0	0.2 - 2 1.5 - 15	4 - 40 20 - 200	800	350
50A	2B	1.5 - 15	0.5 - 5 2.5 - 25	6 - 60 40 - 400	800	350
65A	2 1/2B	2.5 - 25	0.8 - 8 4 - 40	10 - 100 60 - 600	800	350
80A	3B	4 - 40	1.2 - 12 5 - 50	12 - 120 80 - 800	800	400
100A	4B	6 - 60	2.5 - 25 9 - 90	25 - 250 120 - 1200	1000	500
125A	5B	10 - 100	4 - 40 15 - 150	40 - 400 200 - 2000	1100	500
150A	6B	14 - 140	6 - 60 20 - 200	60 - 600 300 - 3000	1200	600
200A	8B	20 - 200	10 - 100 28 - 280	100 - 1000 400 - 4000	1500	600



**PART LIST**

NO	NAME	MATERIAL	
		NO.2	NO.3
1	Body	SUS304	SUS316
2	Flange	SUS304	SUS316
3	Float	SUS304	SUS316
4	Taper Tube	SUS304	SUS316
5	Magnet Rod	SUS304+ALNICO	SUS316+ALNICO
6	Guid Stopper	SUS304	SUS316
7	Support	SUS304	SUS316
8	Indicator	ADC 12	
9	Terminal Box	EX - PROOF	