



# Flowmeter Product Directory

MODEL : ASM



## FEATURES

- 모든 유체(액체, 기체 및 스팀)측정이 가능하며 슬러지 및 불투명한 액체 측정에 적합한 유량계이다.  
(공업용수, 폐수, 도금용액, 각종 오일류, 혼합용 가스, 소화가스, 가성소다, )
- 유체의 흐름방향은 어느 방향이든지 자유롭게 선정할 수 있다. (주문 시 방향 협의)

## SPECIFICATION

CON'N	SIZE	MAT`L	PRESS.	TEMP.	ACCURACY
FLANGE	15A-300A	STEEL	ST 10kgf/cm2	ST 120℃	FS.±2.5%
		SUS304			
SCREW	15A-65A	SUS316	SP 20kgf/cm2	SP 200℃	

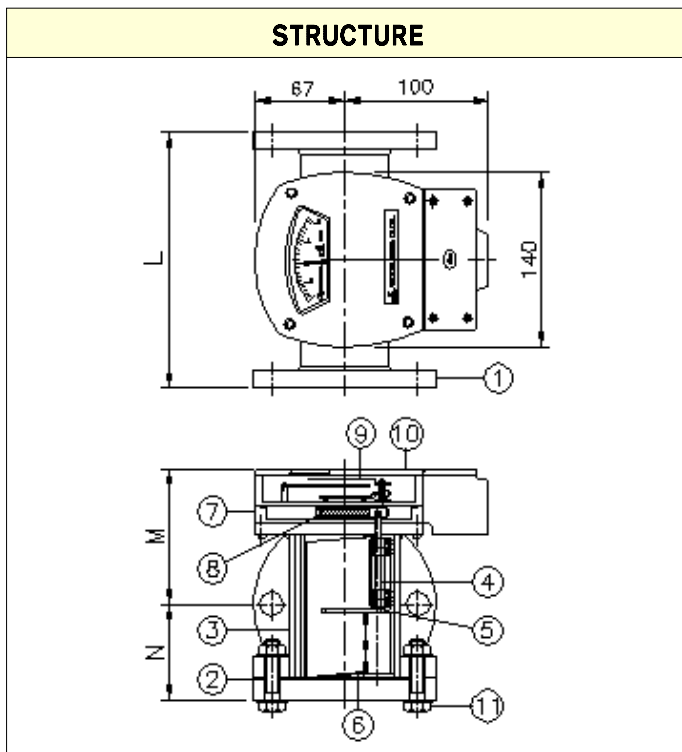
MODEL CODE							
ASM	-	<input type="checkbox"/>	-	<input type="checkbox"/>	-	<input type="checkbox"/>	DESCRIPTION
FLOW DIRECTION		1					BOTTOM - TOP
		5					SIDE - SIDE
		6					TOP - BOTTOM
MATERIAL				1			STEEL
				2			SUS304
				3			SUS316
				0			OTHER
CONNECTION						J	JIS 10K RF (FF)
						A	ANSI 150# RF (FF)
						D	DIN PN10/16
						P	PT(Male / Female)
						N	NPT(Male / Female)
						O	OTHER



# Flowmeter Product Directory

MODEL : ASM

FLOW RATE								
SIZE	DIVIDE	ALLOW RANGE			LENGTH (mm)			
		H <sub>2</sub> O (m <sup>3</sup> /h)	AIR (Nm <sup>3</sup> /h) 0.5 kgf/cm <sup>2</sup> G · 20°C	STEAM (kg/h) 3 kgf/cm <sup>2</sup> G	M	N	L	
							FLANGE	SCREW
15A	1/2B	0.1 - 0.5	6 - 30	10 - 50	85 <sup>+1</sup> <sub>-2</sub>	55	220	150
		0.4 - 2	12 - 60	20 - 100				
20A	3/4B	0.1 - 0.5	6 - 30	10 - 50	85 <sup>+1</sup> <sub>-2</sub>	55	220	160
		0.4 - 2	12 - 60	20 - 100				
25A	1B	0.2 - 1	12 - 60	10 - 50	90 <sup>+1</sup> <sub>-2</sub>	60	220	180
		1 - 5	30 - 150	40 - 200				
32A	1 1/4B	0.2 - 1	12 - 60	10 - 50	90 <sup>+1</sup> <sub>-2</sub>	60	220	200
		1 - 5	30 - 150	40 - 200				
40A	1 1/2B	0.4 - 2	16 - 80	20 - 100	95 <sup>+1</sup> <sub>-2</sub>	65	220	200
		2 - 10	60 - 300	80 - 400				
50A	2B	0.6 - 3	20 - 100	20 - 100	100 <sup>+1</sup> <sub>-2</sub>	70	220	220
		3 - 15	90 - 450	120 - 600				
65A	2 1/2B	1.2 - 6	60 - 300	80 - 400	110 <sup>+1</sup> <sub>-2</sub>	80	260	220
		6 - 30	180 - 900	240 - 1200				
80A	3B	1.6 - 8	120 - 600	100 - 500	110 <sup>+1</sup> <sub>-2</sub>	80	300	
		8 - 40	240 - 1200	400 - 2000				
100A	4B	3 - 15	180 - 900	200 - 1000	130 <sup>+1</sup> <sub>-2</sub>	100	330	
		16 - 80	400 - 2000	700 - 3500				
125A	5B	4 - 20	200 - 1000	200 - 1000	140 <sup>+1</sup> <sub>-2</sub>	110	380	
		20 - 100	600 - 3000	900 - 4500				
150A	6B	6 - 30	240 - 1200		200 <sup>+1</sup> <sub>-2</sub>	150	480	
		30 - 150	900 - 4500					
200A	8B	12 - 60	300 - 1500		210 <sup>+1</sup> <sub>-2</sub>	180	650	
		60 - 300	1800 - 9000					
250A	10B	16 - 80	600 - 3000		230 <sup>+1</sup> <sub>-2</sub>	200	680	
		80 - 400	2400 - 12000					
300A	12B	20 - 100	900 - 4500		280 <sup>+1</sup> <sub>-2</sub>	250	720	
		100 - 500	3000 - 15000					



PART LIST				
NO	NAME	MATERIAL		
		NO.1	NO.2	NO.3
1	Flange	SS400	SUS304	SUS316
2	Packing	NBR, EPDM, VITON, TEFLON		
3	Body	SPP	SUS304	SUS316
4	Shaft	SS	SUS304	SUS316
5	Spring	SUS304	SUS304	SUS316
6	Flapper	SS	SUS304	SUS316
7	Magnet Room	SUS304	SUS304	SUS316
8	Magnet	ALNICO		
9	Index	AL		
10	Cover	AL2		
11	Bolt Nut	STEEL	SUS304	SUS316